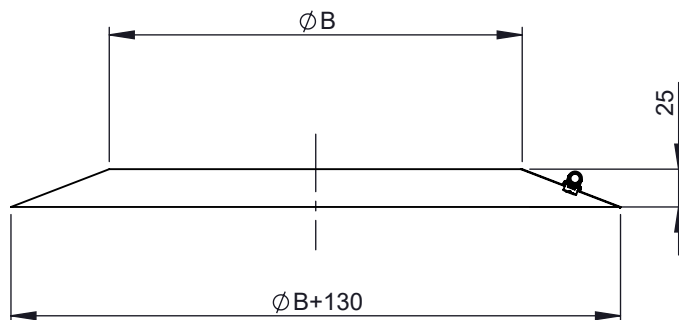
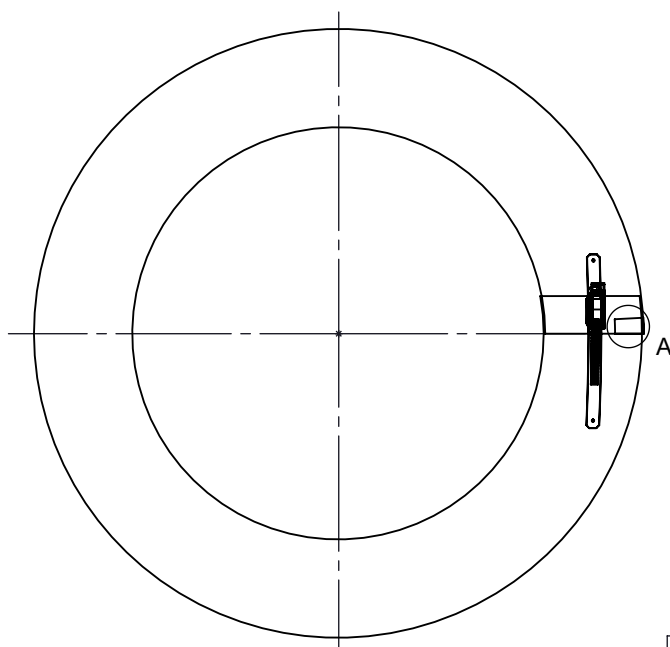


A



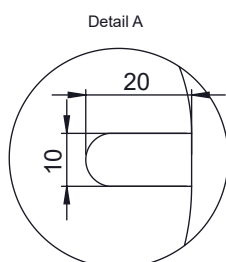
B

C

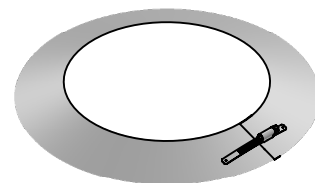


D

E



Ø200 M 1:10



| | | | | | | | | | | | | | | | | |
|-----------|-----------|------------|------------|------------|------------|------------|------------|------------|------------|------------|------------|------------|------------|------------|------------|------------|
| Ø | 80 | 100 | 115 | 130 | 150 | 160 | 180 | 200 | 225 | 250 | 300 | 350 | 400 | 450 | 500 | 600 |
| B | 145 | 165 | 180 | 195 | 215 | 225 | 245 | 265 | 290 | 315 | 365 | 415 | 465 | 515 | 565 | 665 |
| kg | 0,3 | | | | | | 0,4 | | | | 0,5 | | 0,6 | | 0,7 | 0,8 |

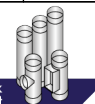
Material:

1.4404 / 1.4301
Hochglanz

DIN ISO 13920 Tolerances B

Revisionsnummer
A0

mm / kg

Schornsteintechnik
Neumarkt

scale

1:10

format

A4

sheet

1 of 1

F

| | | |
|-------------|--------------|-------------|
| | Datum | Name |
| drawn by | 10.05.2017 | TDO |
| checked by | | |
| approved by | | |
| modified by | | |

Artikelbezeichnung

Wandrosette

Artikelnummer

DWP-Ø-086